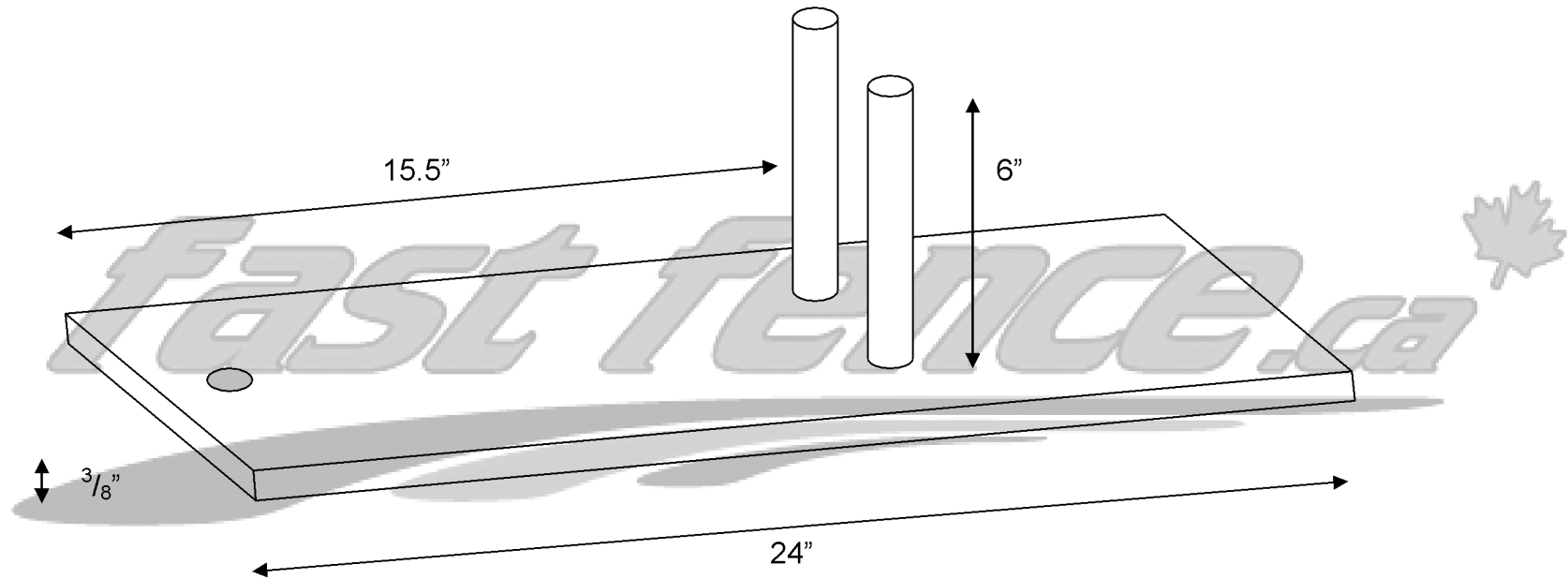


Ground stands



MATERIALS: Solid steel
Can be bolted to the ground if required
Weight approx 25 lbs